



Administrator: Small Area Repair Technology Underwriting Managers (Pty) Ltd

Insurance.

Care and Cosmetic Repair Cover Claim Form.

Motovantage House, Stonemill Office Park, 300 Acacia Road, Blackheath, Johannesburg, 2195

Tel. 0860 100 269

E-mail. claimsmotosupport@smartuma.co.za

Policy holder details:

| | |
|-----------------|-----------|
| Initials: | Surname: |
| ID no.: | E-mail: |
| Cell no.: | Tel. no.: |
| Postal address: | |
| Post code: | |

Bank details:

| | |
|---------|--------------|
| Bank: | Account no.: |
| Branch: | Branch code: |

Motorcycle details:

| | | | | |
|-----------------|-------|------|---------------|--------------|
| Make and model: | Year: | GVM: | Registration: | Chassis no.: |
| | | | | |

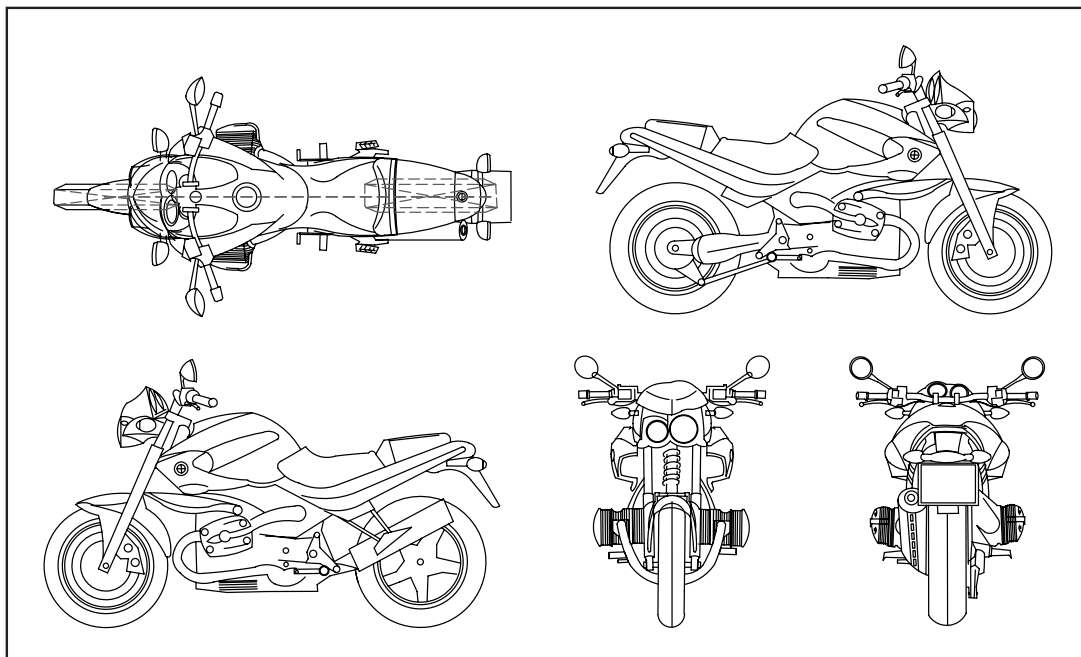
Damage details:

Repairing dealer: _____

Please indicate with an X the benefit which you are claiming for:

| | | | | |
|-------------------------|---|-------------|----------------|--------|
| Wheels: | Alloy rims: | Minor dent: | Light scratch: | Chips: |
| Clutch and brake lever: | Mirror, indicators and foot peg repair: | | | |

- Side
- Left
- Right



You must, for all claims, provide us with clear photographs of the damaged area of the motorcycle at claim stage, with the exception of your first claim, where we will require photos of the full motorcycle, front, left side, right side and rear, taken at the Approved Repair Centre at claim stage.

Dealer Name:

Dealer Signature:

Customer Signature: Signed on DD / MM / YYYY

BMW Motorrad Financial Services

1 Bavaria Avenue
Randjespark Ext. 17
Midrand
1685

Tel. 0860 100 269

Email. claimsmotosupport@smartuma.co.za

MAKE LIFE A RIDE

BMW Motorrad Financial Services (South Africa) (Pty) Ltd is an Authorised Financial Services Provider (FSP 4623) and Registered Credit Provider (NCRCP2341). Insurance is underwritten by Guardrisk Insurance Company Ltd. an Authorised Financial Services Provider Licence No. 75. Terms and conditions apply.